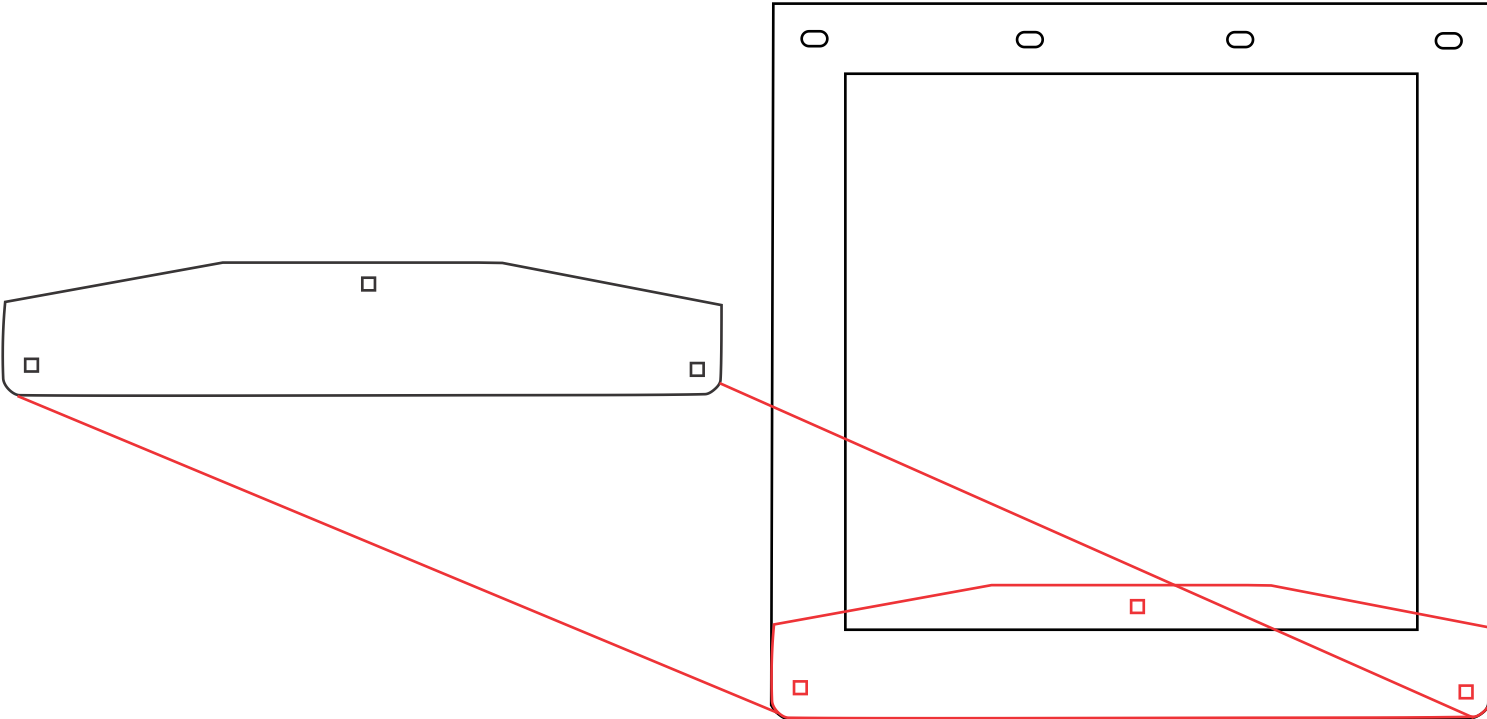





Bottom Weights

Figure 1
Place The Bottom Weight On The Mud Flap & Mark The Holes Where You Would Like It To Go & Drill Them Out.

Figure 2
Put On The Bottom Weight & The screws. Now Tighten The Screws But Remember Not To Tighten Them To Much .

Figure 3
Now That You Are Finished With Installing Your ATA Bottom Weights. Take Plastic Off & Clean With Windex



Bolt Kit		
	QTY: 6 Carriage Bolts 18-8 S S	1/4 - 20 x 1 1/4
	QTY: 6 Nylon Hex Nuts	1/4 x 20
	QTY: 6 Fender Washers Zinc	5/16 x 1 1/2